

# Monthly LiveLife Watch Health Check

## Performing regular tests of the LiveLife Mobile Watch

Like other electronic devices, it is important to conduct regular checks of an alarm to make sure it is working correctly. We suggest a monthly health check which includes the following:

- 1 Check that there is at least 1 bar of signal on your watch.



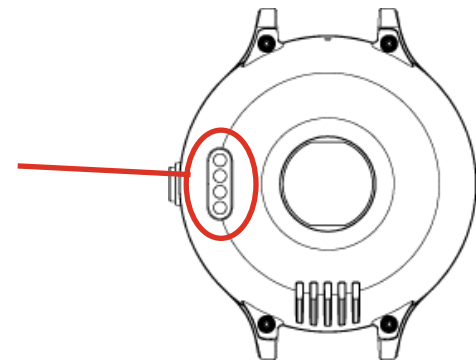
- 2 Ask a relative or friend to **call** your alarm and you can answer in hands-free, two-way voice.



- 3 Hold down the watch side button for one second until you feel it vibrate. Click the **cancel** button to stop the emergency call and text sequence.



- 4 Check your alarm for any obvious signs of damage. Make sure the three brass discs on the back of the alarm are bright and shiny.



## Lifetime support

Your alarm comes with lifetime support. If you have any concerns, give us a call on 1800 936 774 for Customer Support. 8:30am to 7:00pm, Mon-Fri, 10:00am to 3:00pm, Sat, AEST.